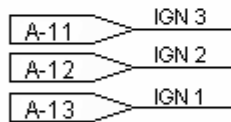
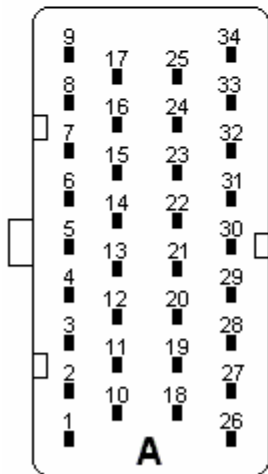
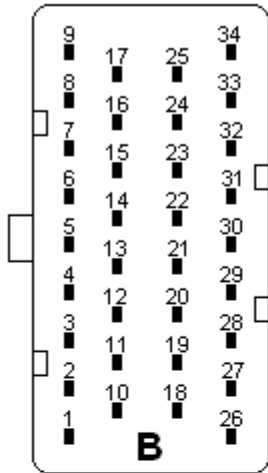
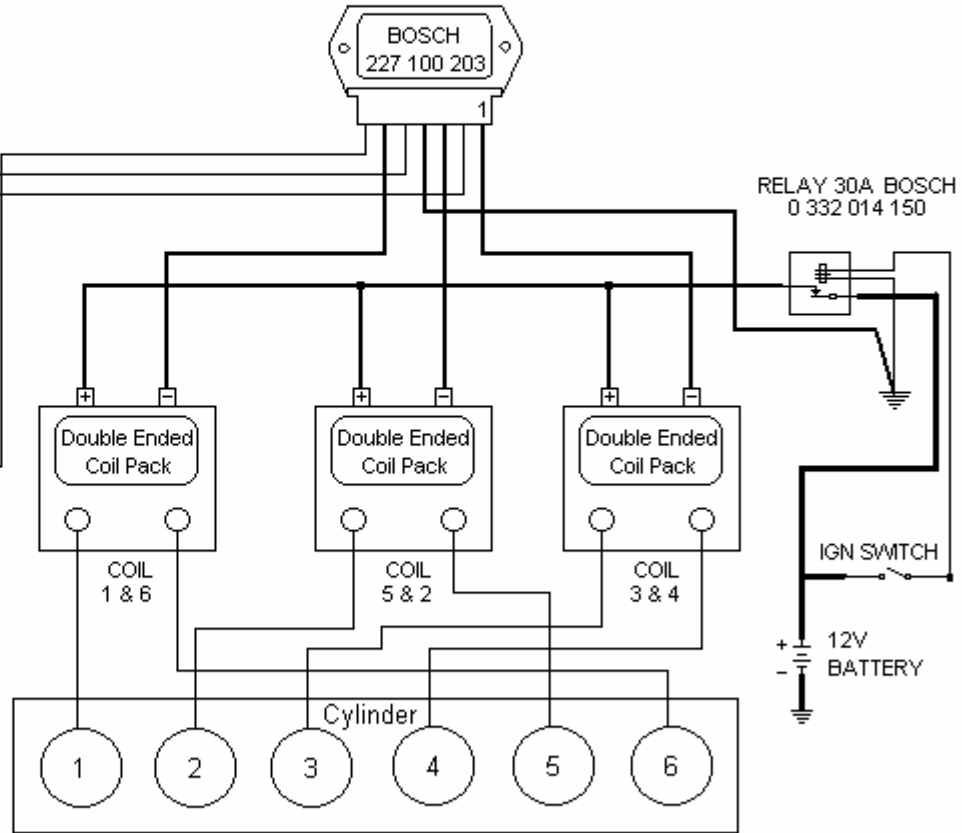


VIPEC V44 & V88

VIPEC V44 & V88 DFI SETUP USING 3 X COILS AND BOSCH 203 IGNITION MODULE



**Software Settings**  
 Select Rising , and set dwell time to suit the coil type in the Ignition Dwell Table  
 CAUTION: Incorrect dwell time will damage ignition coils or modules



Wires donated — 1.8 - 1.4 mm Dia. Conductor 20 - 14 AWG.  
 Wires donated — 3.0 - 4.0 mm Dia. Conductor 1.5 - 2.5 SQ mm

Six Cyl engine with 1,5,3,6,2,4 firing order