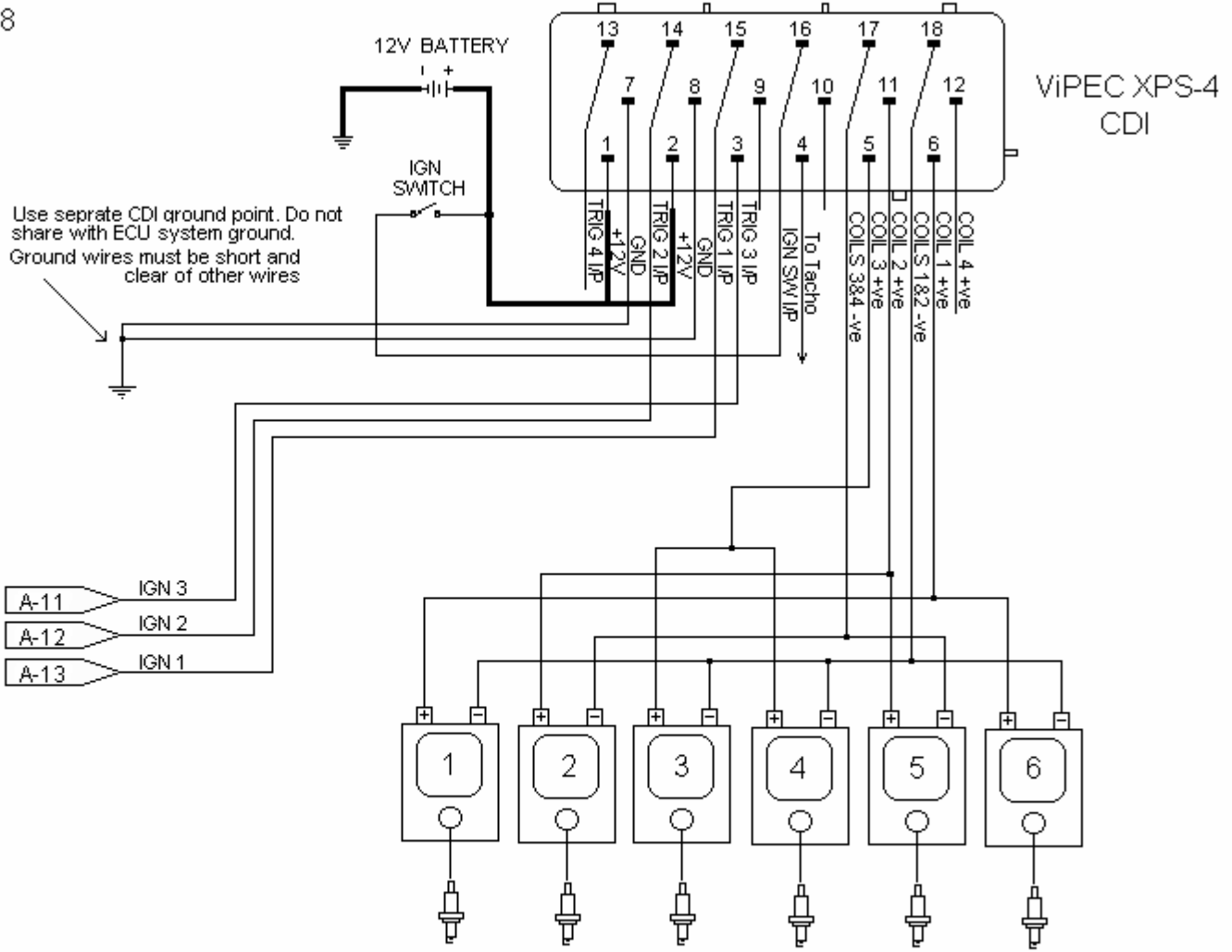
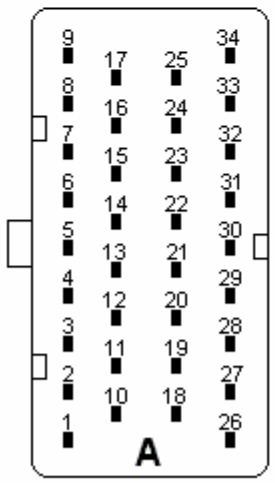
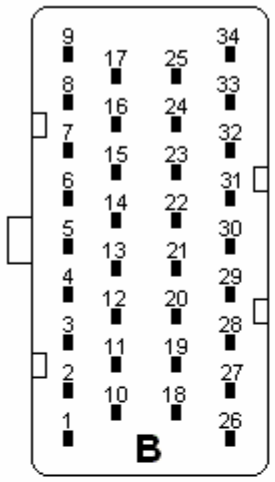


ViPEC V44 & V88



Use separate CDI ground point. Do not share with ECU system ground. Ground wires must be short and clear of other wires

A-11 IGN 3  
A-12 IGN 2  
A-13 IGN 1

Firing Order 1, 5, 3, 6, 2, 4

Software Settings  
Ign Trigger Edge = +ve

Wires donated — 1.8 - 1.4 mm Dia. Conductor 20 - 14 AWG.  
Wires donated — 3.0 - 4.0 mm Dia. Conductor 1.5 - 2.5 SQ mm