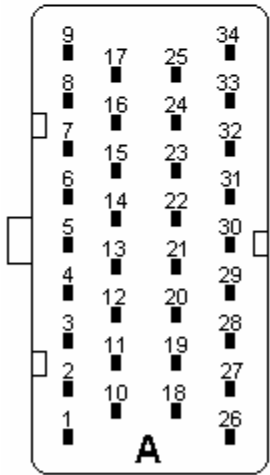
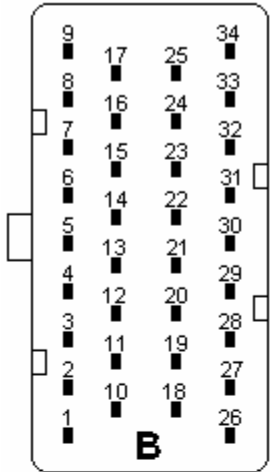
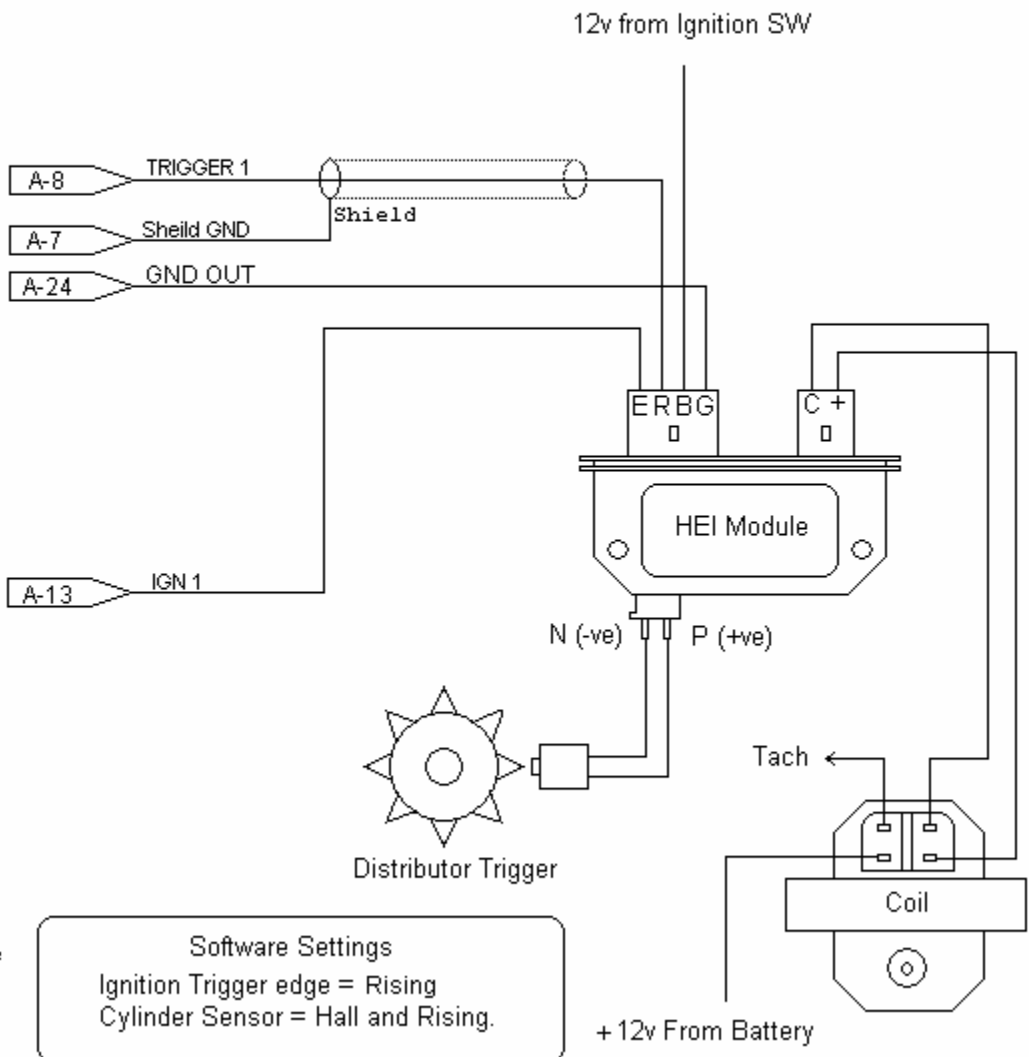


VIPEC V44 and V88

GM HEI Module (8 Pin)



View from wire side of connector



Software Settings  
 Ignition Trigger edge = Rising  
 Cylinder Sensor = Hall and Rising.